

SOUDAFRAME<sup>SWI</sup>

**SOUDAL**

# THE INSTALLATION GUIDE

## SOUDAFRAME SWI



**PLANNING, INSTALLATION AND SEALING**

Easier, faster and safer!

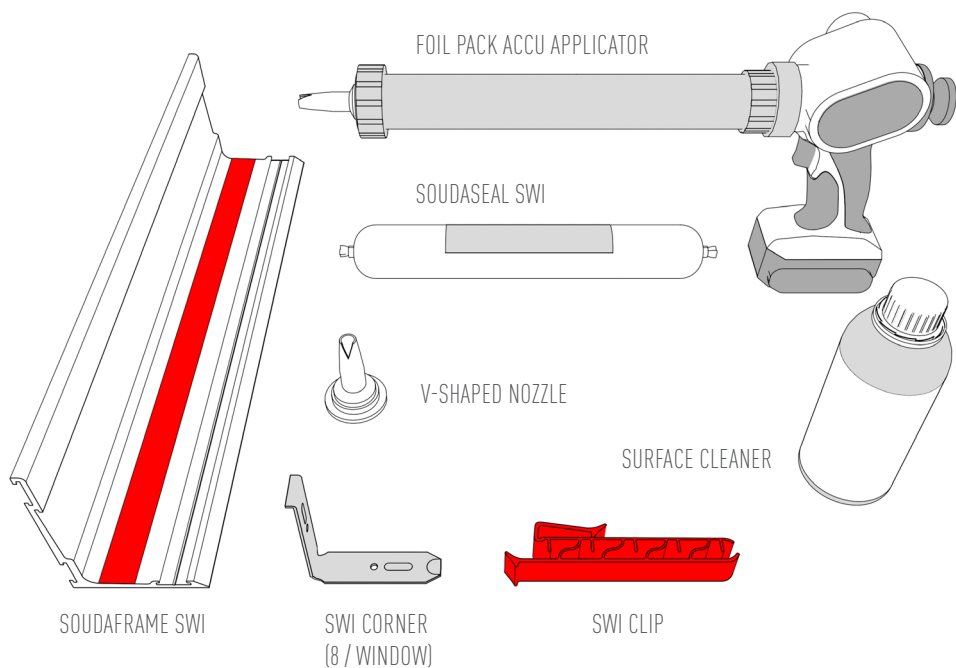


**SWI**  
**SOUДАFRAME**

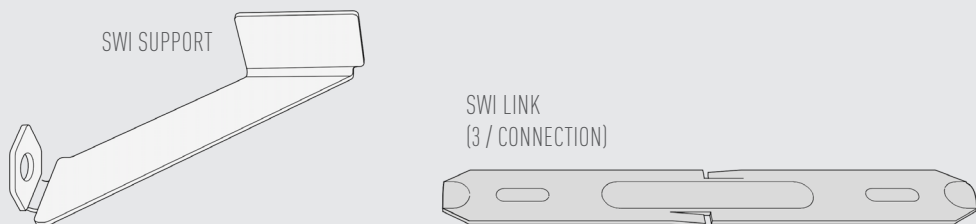




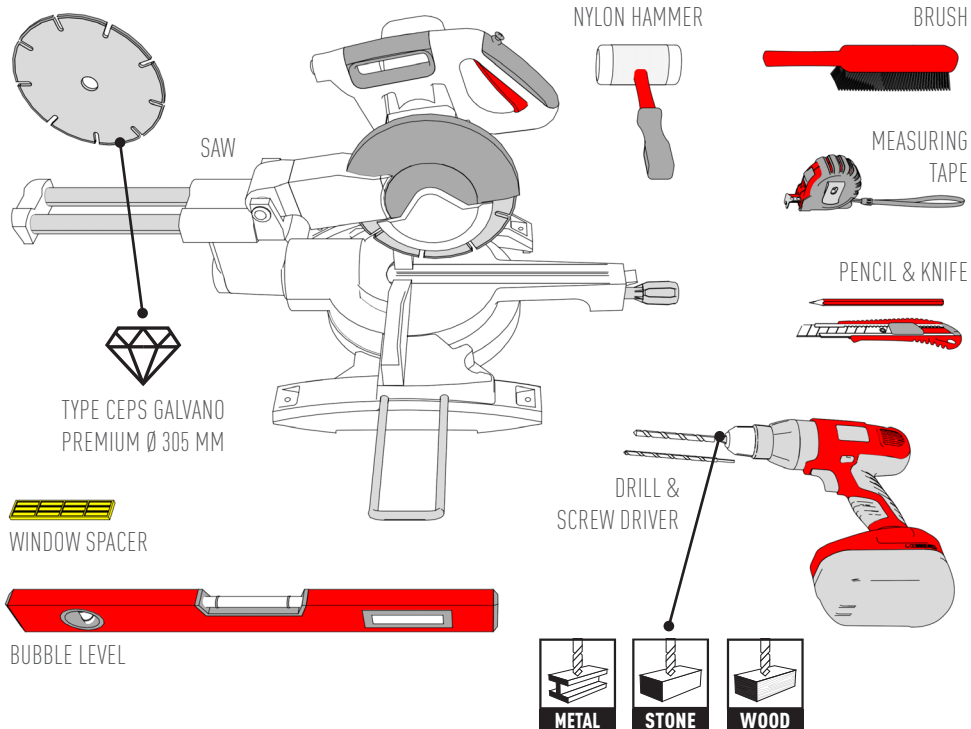
# SOUDAL PRODUCTS



## OPTIONAL



# TOOLS



## SCREWS\*

SWI CORNER SCREWS



**FISCHER REFERENCE:  
OR EQUIVALENT**

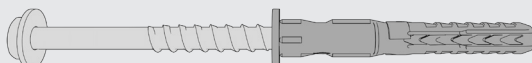
FPS-FPB 4,2 X 13 ZPF 1000

WINDOW FIXING SCREWS



FFSZ 7.5 X 132 T30

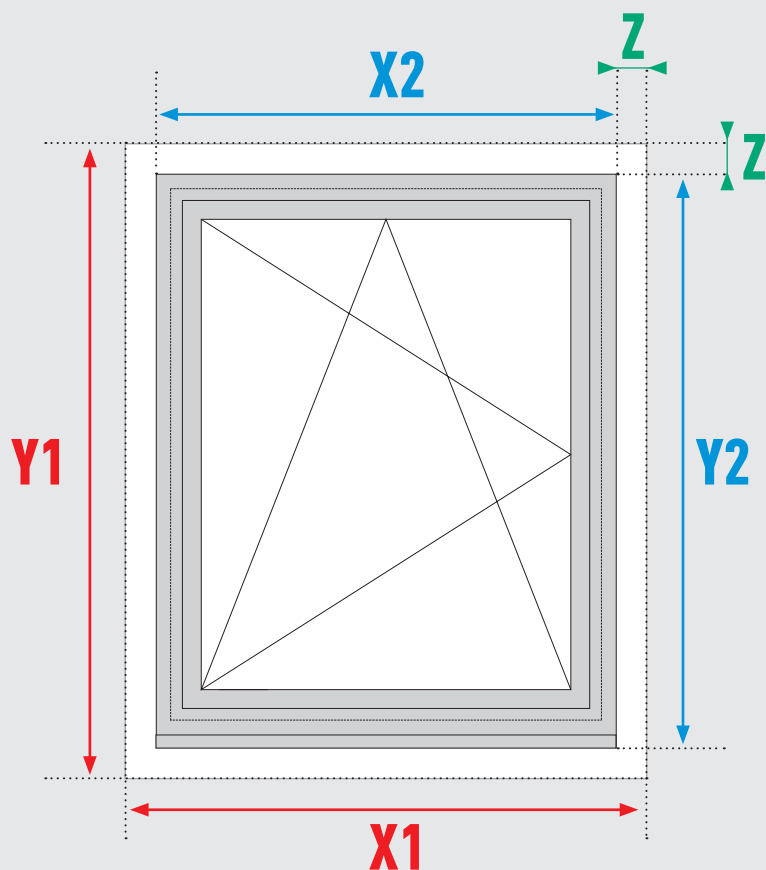
FRAME FIXING SCREWS



SXR 10 X 80 FUS

\*Please follow the current installation instructions from the window/screw manufacturer to select the correct screws.

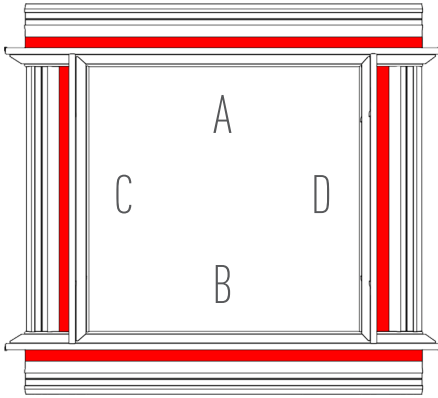
# TAKE MEASUREMENTS



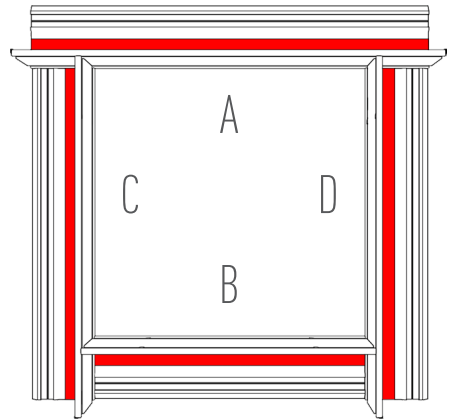
**WALL OPENING** =  $X1 \times Y1$   
**WINDOW SIZE** =  $X2 \times Y2$   
**JOINT** =  $Z = 15 \text{ à } 18 \text{ mm}$

# CALCULATE

## VARIANT 1



## VARIANT 2



### OPTION 1 : START FROM WALL OPENING

$$A = B = X1 + 190 \text{ mm}$$

$$C = D = Y1$$

$$A = X1 + 190 \text{ mm}$$

$$B = X1$$

$$C = D = Y1 + 95 \text{ mm}$$

### OPTION 2 : START FROM WINDOW SIZE

$$A = B = X2 + (2 \times Z) + 190 \text{ mm}$$

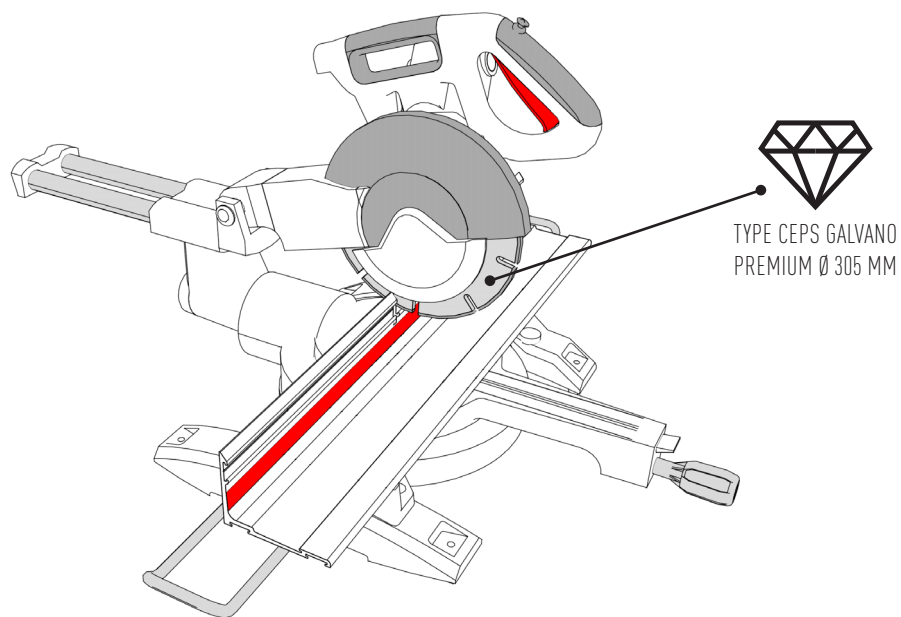
$$C = D = Y2 + (2 \times Z)$$

$$A = X2 + (2 \times Z) + 190 \text{ mm}$$

$$B = X2 + (2 \times Z)$$

$$C = D = Y2 + 95 \text{ mm}$$

# CUT TO SIZE



## PERSONAL PROTECTIVE EQUIPMENT



SAFETY GLASSES



RESPIRATOR



HEARING PROTECTION



GLOVES



VENTILATED AREA



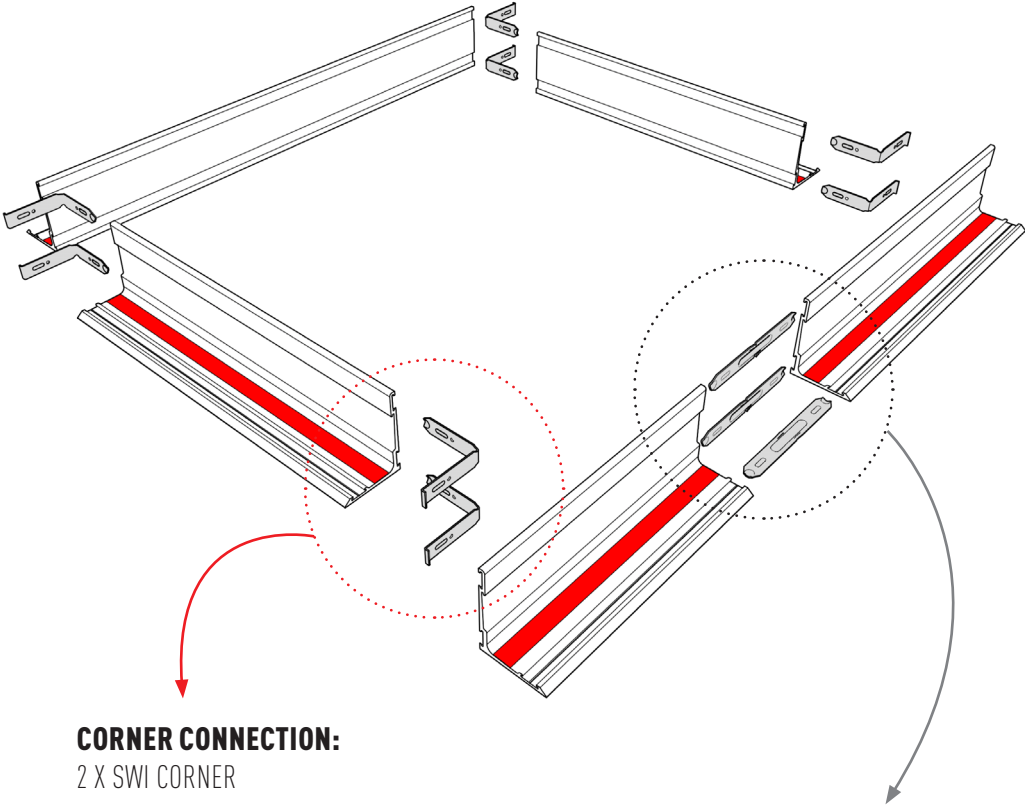
DUST EXTRACTION



# PLUG IN CONNECTORS



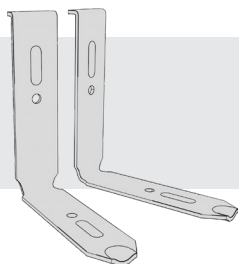
FLAT SURFACE



**CORNER CONNECTION:**  
2 X SWI CORNER

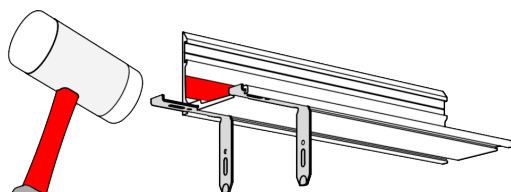
**OPTIONAL / EXTENSION:**  
3 X SWI LINK

# CORNER CONNECTION

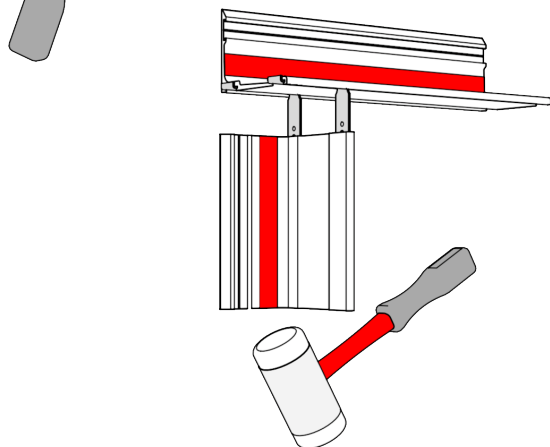


2 X SWI CORNER

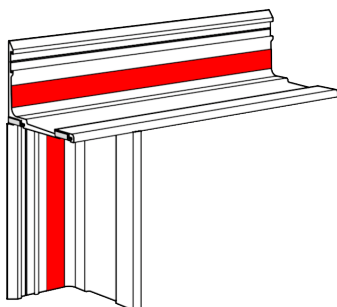
STEP 1



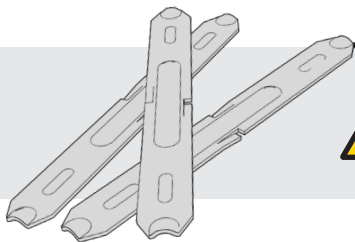
STEP 2



STEP 3

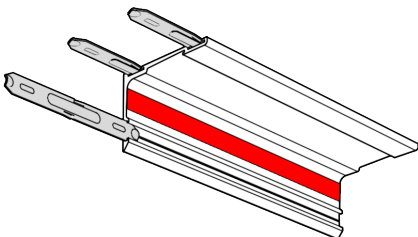
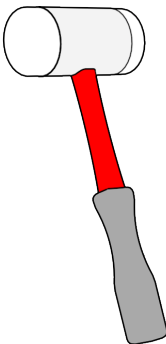


# EXTENSION (OPTIONAL)

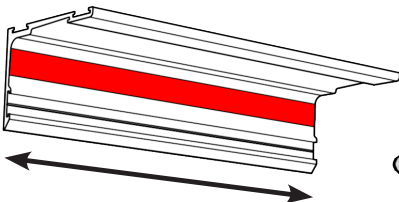


3 X SWI LINK

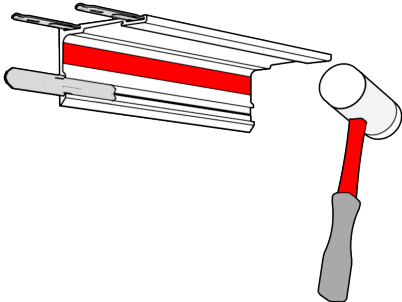
STEP 1



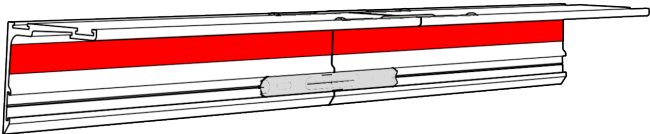
STEP 2



 > 40CM



STEP 3

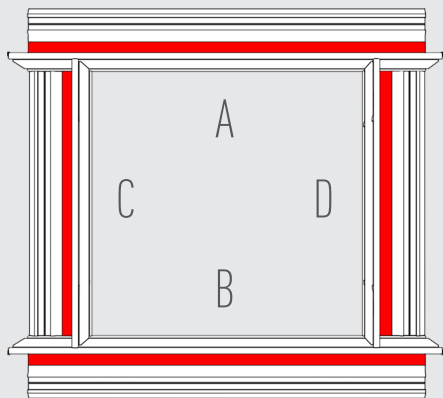


# ASSEMBLE FRAME

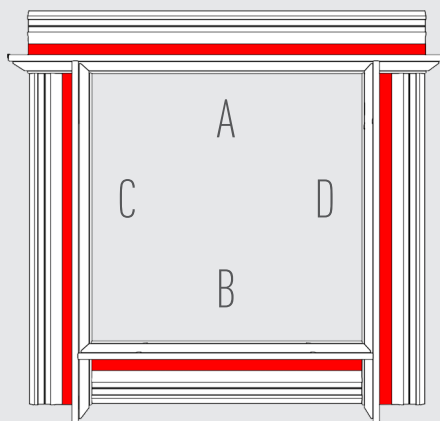


FLAT SURFACE

## VARIANT 1

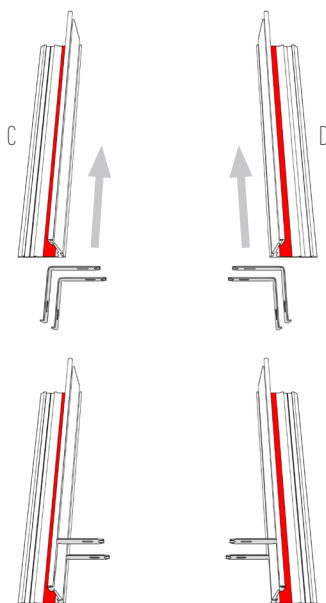
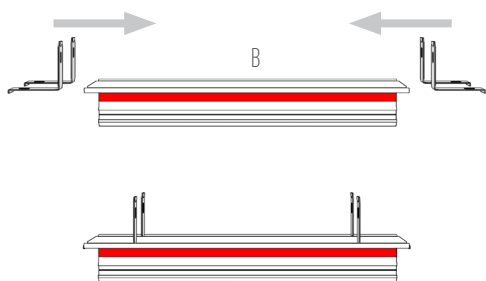


## VARIANT 2



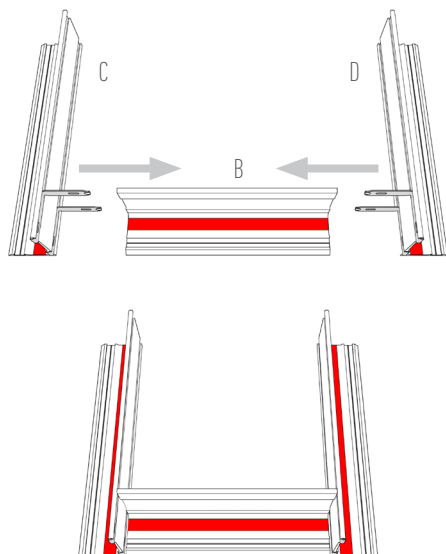
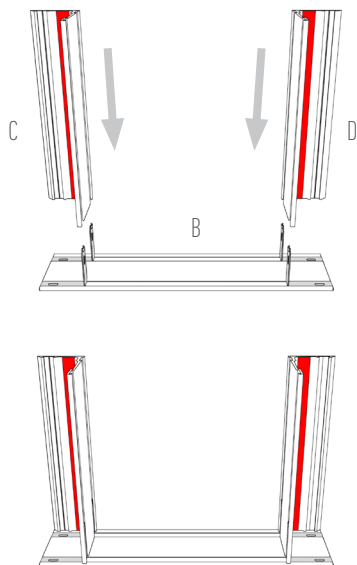
### STEP 1

4 X SWI CORNER



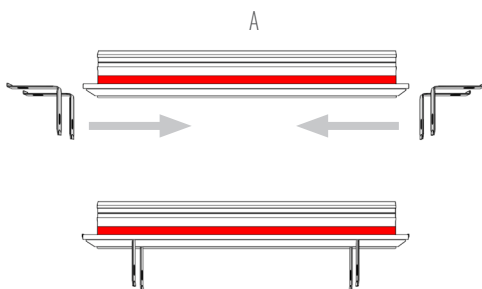
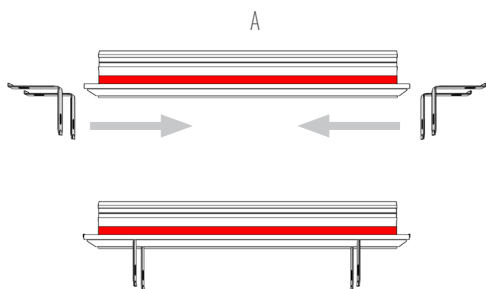
# ASSEMBLE FRAME

## STEP 2



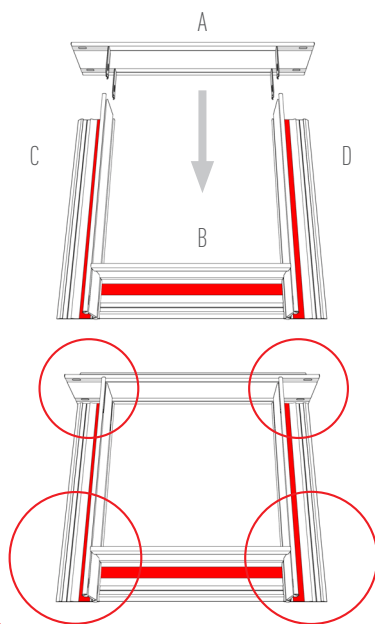
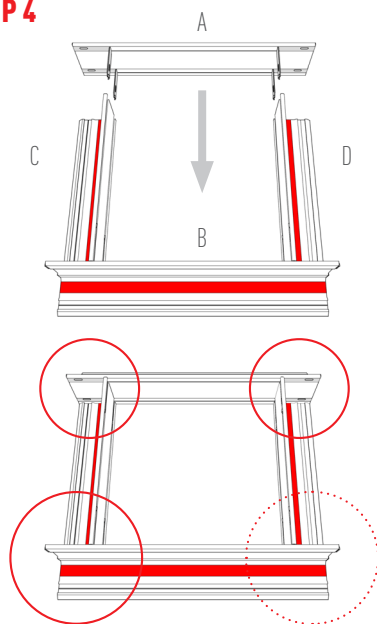
## STEP 3

4 X SWI CORNER



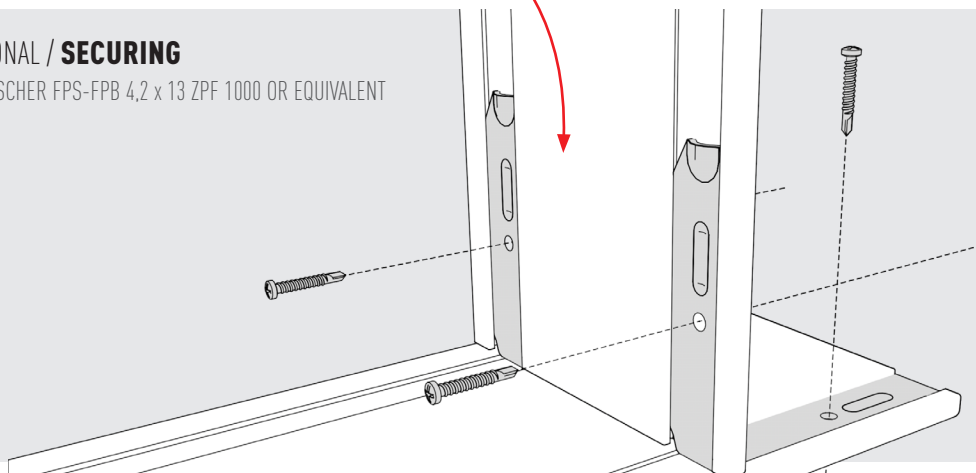
# ASSEMBLE FRAME

## STEP 4



### OPTIONAL / **SECURING**

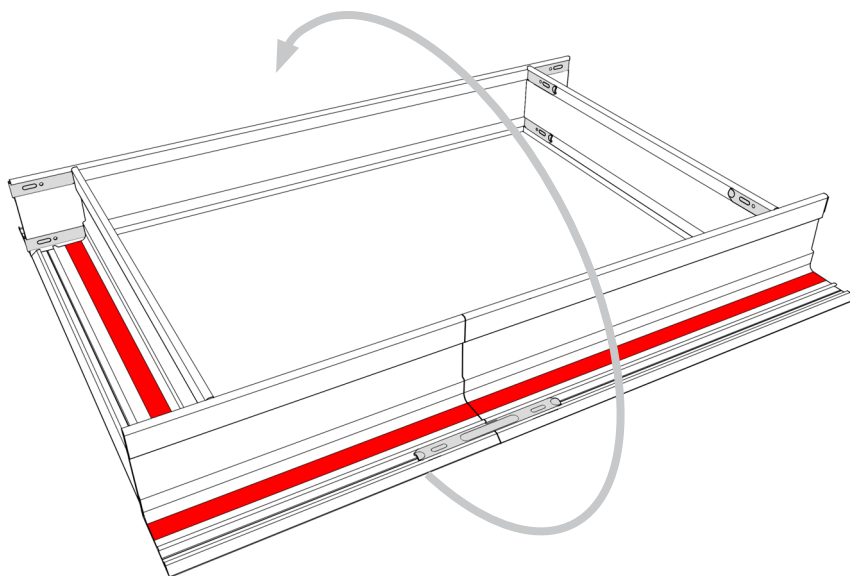
USE FISCHER FPS-FPB 4,2 x 13 ZPF 1000 OR EQUIVALENT



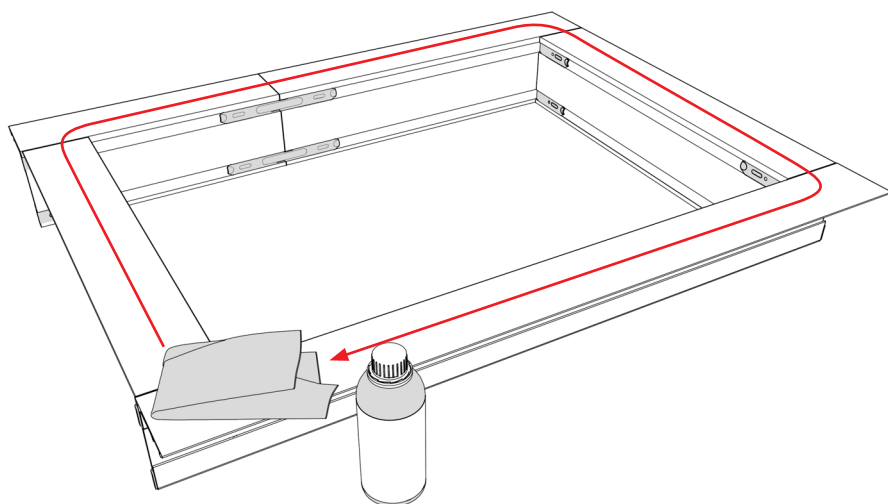
**RC2 & RC3:** MANDATORY TO SECURE THE 4 CORNERS WITH SCREWS (CFR. ANNEX 1)

# CLEAN

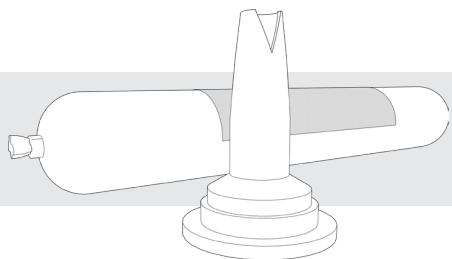
**FLIP**



**CLEAN WITH SODAL SURFACE CLEANER**

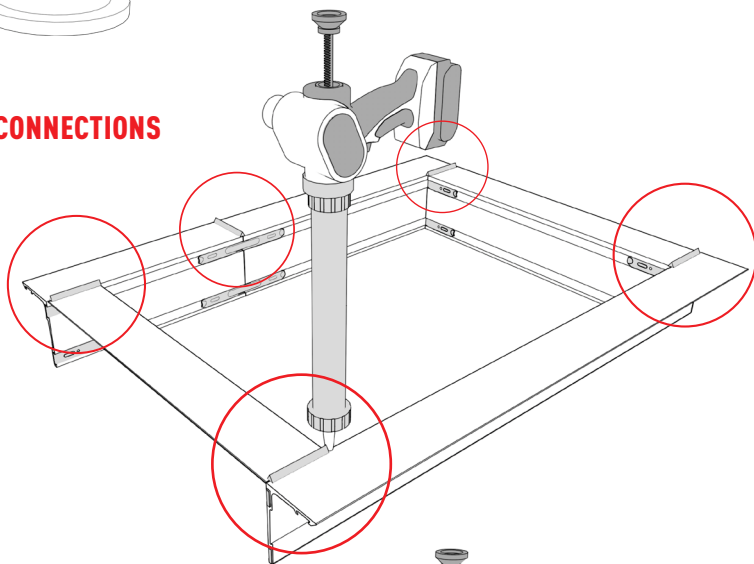


# APPLY SOUDASEAL SWI

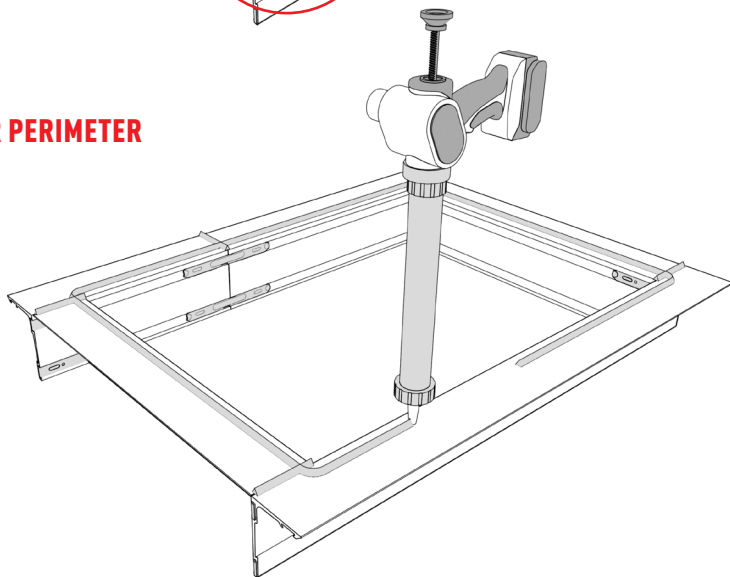


**ONLY USE SOUDASEAL SWI + V-NOZZLE**  
1 FOILBAG = 7 m = 3,5 m FRAME

## STEP 1 : ALL CONNECTIONS



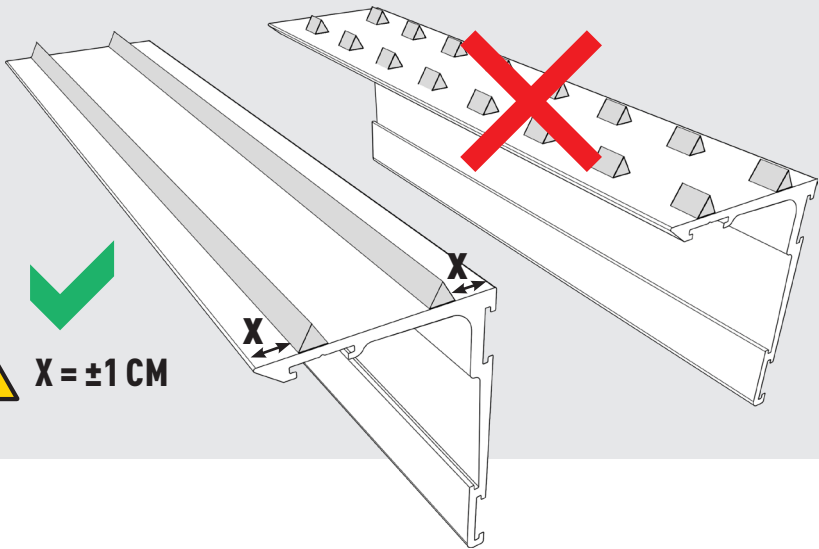
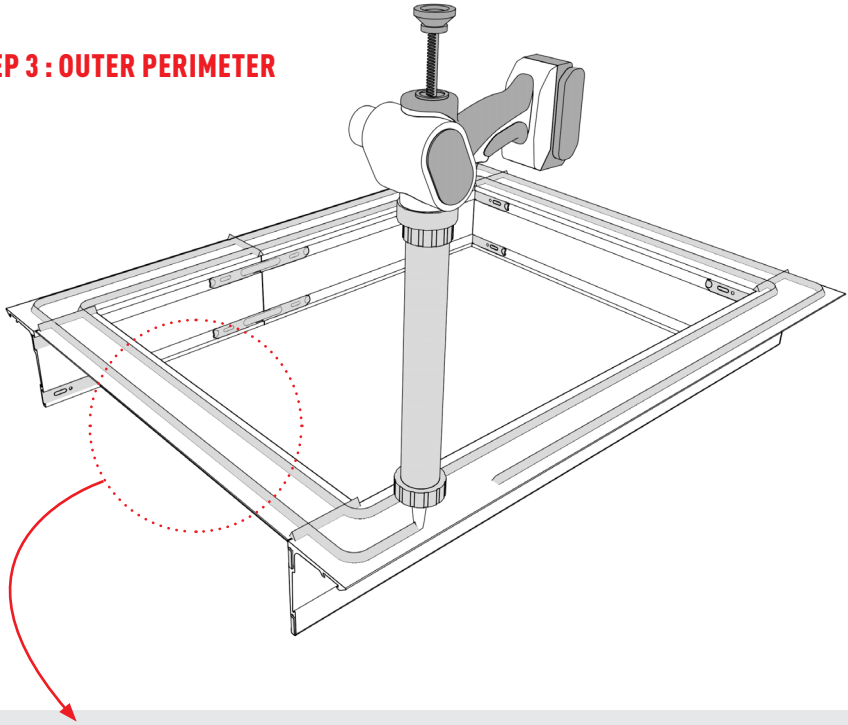
## STEP 2 : INNER PERIMETER





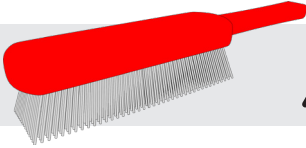
# APPLY SOUDASEAL SWI

## STEP 3 : OUTER PERIMETER



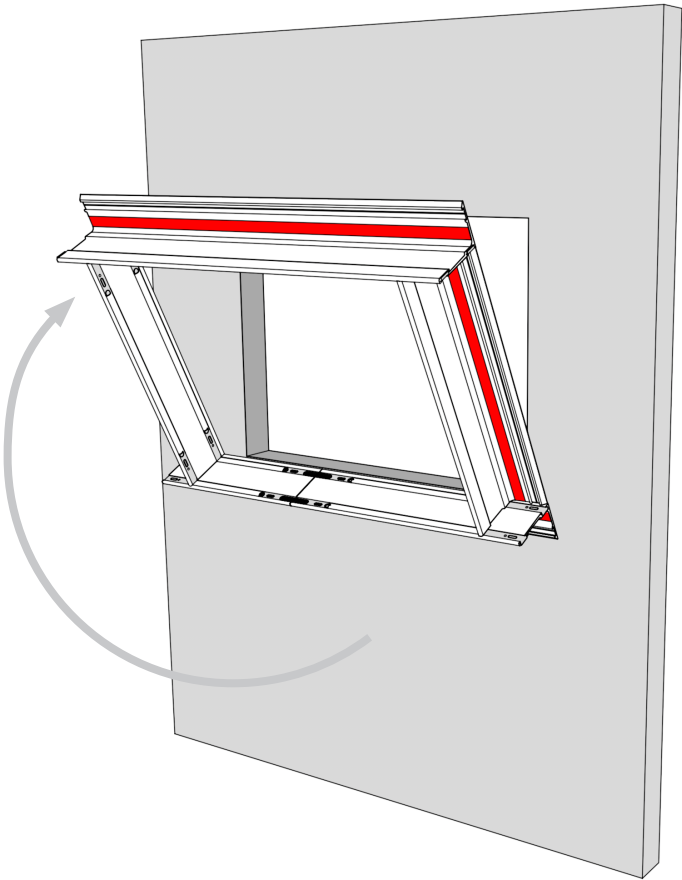
$X = \pm 1 \text{ CM}$

# MOUNTING



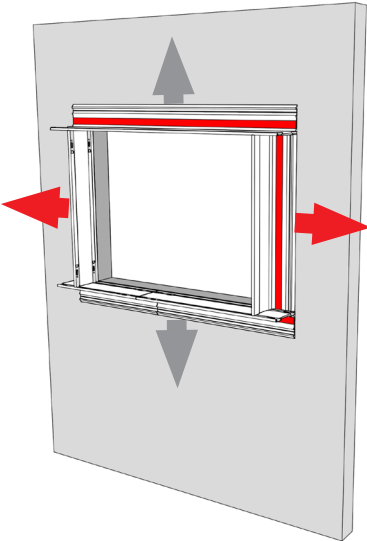
**CLEAN WALL**

**STEP 1 : PLACE THE FRAME AGAINST THE WALL AND PRESS WELL**

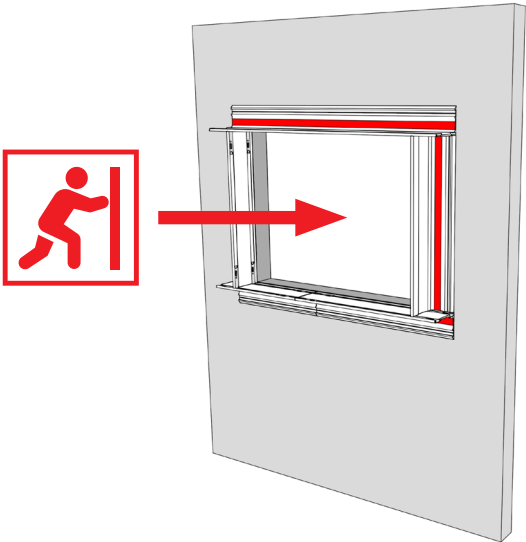


# MOUNTING

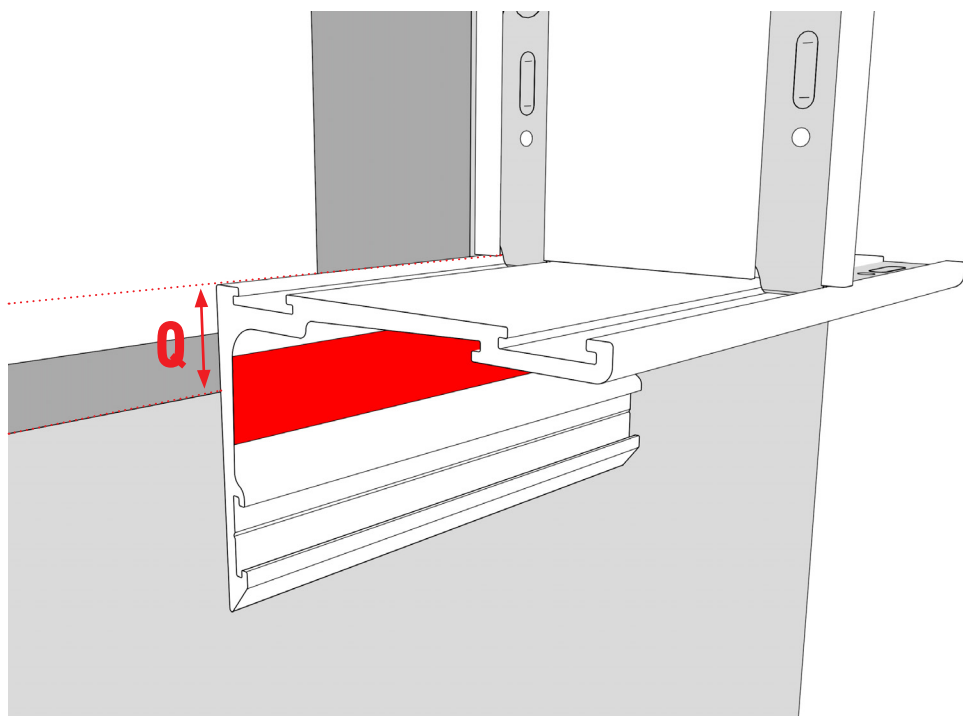
**STEP 2 : SLIDE BACK AND FORTH AND UP AND DOWN TO DISTRIBUTE THE ADHESIVE**



**STEP 3 : PRESS FIRMLY**



# MOUNTING / ALIGNMENT



$Q \leq 0.5 \text{ CM}$



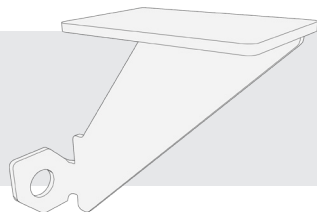
$0.5 \text{ CM} < Q \leq 2 \text{ CM}$   
 $2 \text{ CM} < Q \leq 4 \text{ CM}$



USE SUPPORT



USE SUPPORT  
AND LOWER MAX LOAD WITH 25%



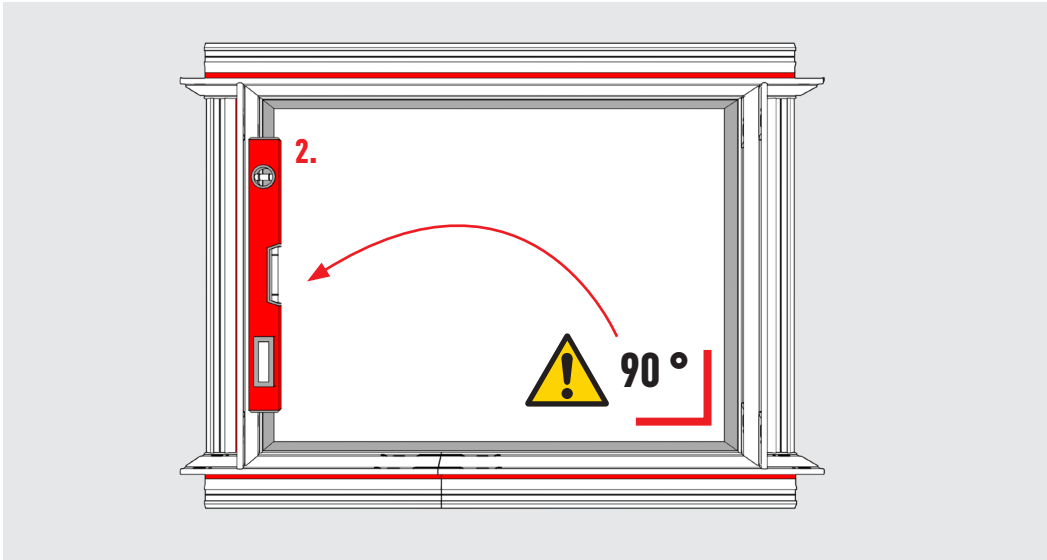
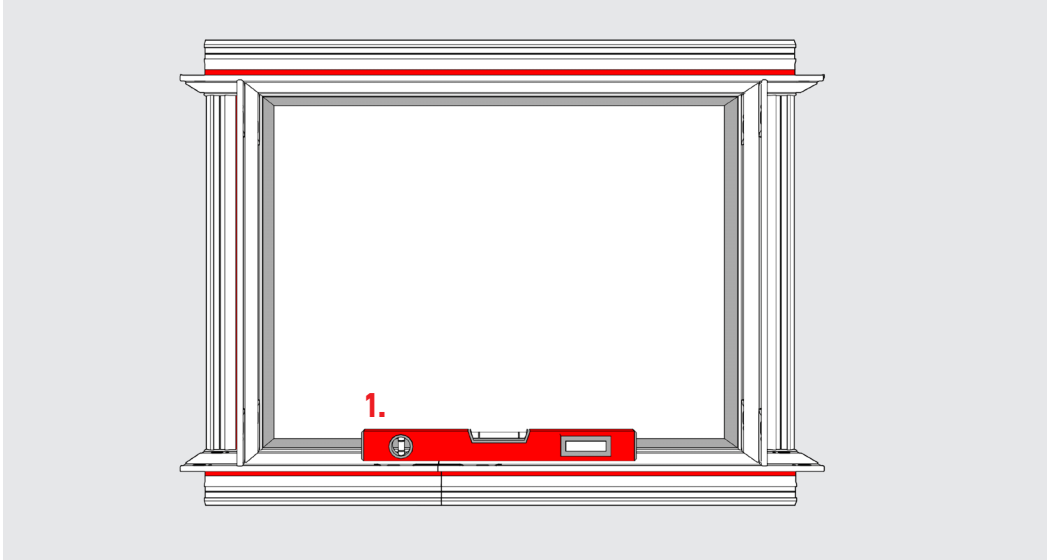
$Q > 4 \text{ CM}$



MAKE NEW FRAME

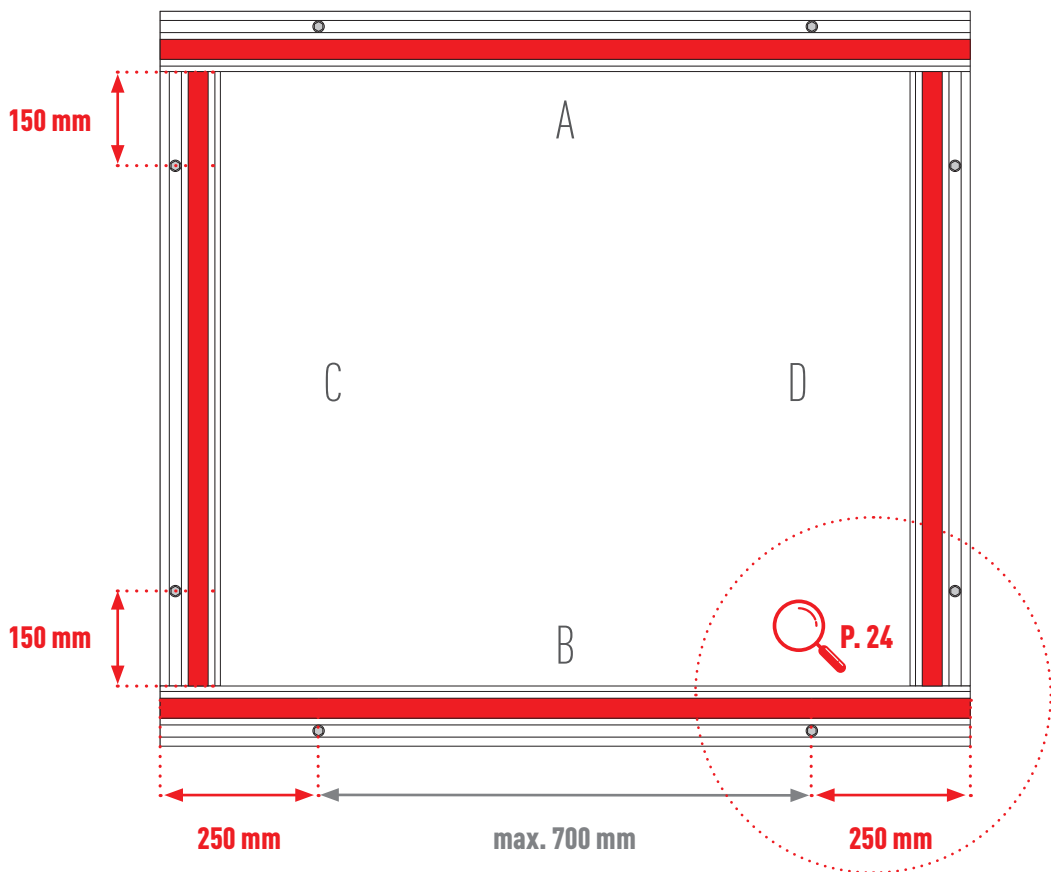
# MOUNTING / ALIGNMENT

## STEP 4 : LEVEL AND SQUARE THE FRAME



# FIXING FRAME

## STEP 1 : MEASURE



**A, B, C, D : AT LEAST 2 FRAME FIXING SCREWS/ELEMENT  
EXTRA FOR B : MAX. 700 MM BETWEEN FRAME FIXING SCREWS**

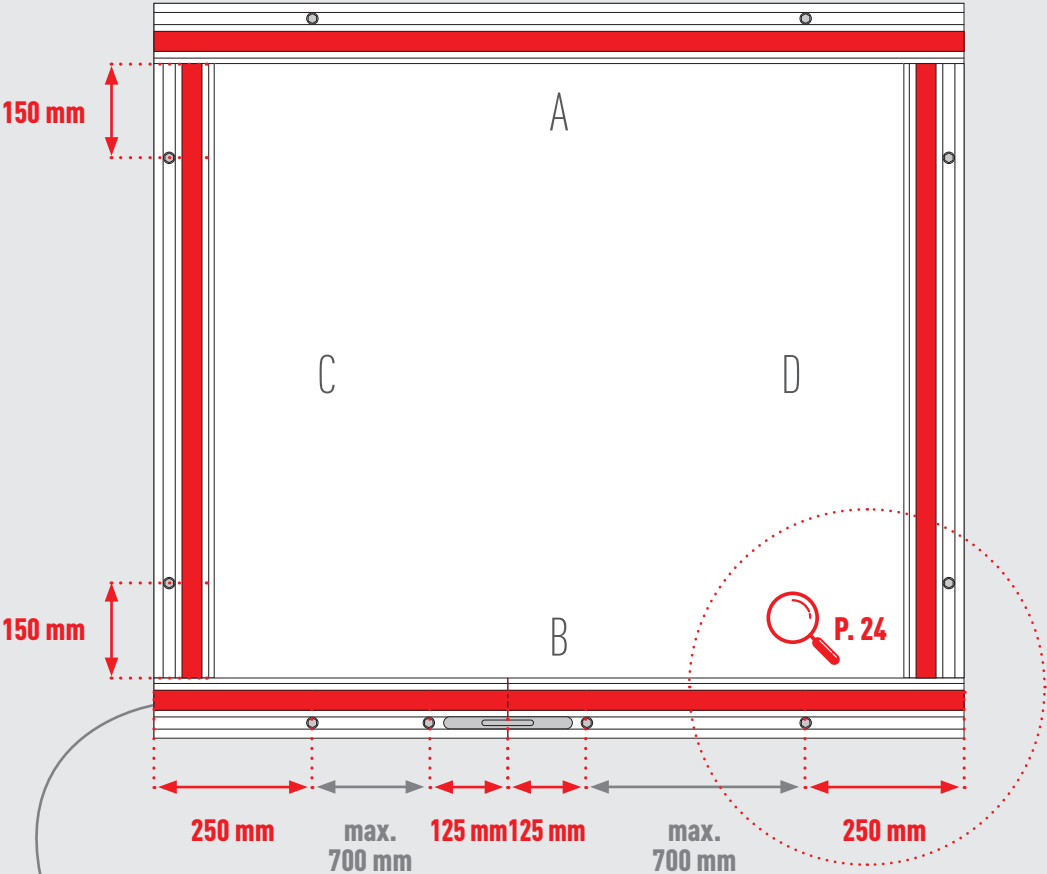


**RC2 & RC3\* : MAX 700 MM BETWEEN ALL FRAME FIXING SCREWS (CFR. ANNEX 1)**  
\*FOR RC3: WINDOW SIZE  $\leq 800 \times 800$  MM  $\rightarrow$  MANDATORY USE OF SUPPORTS

# FIXING FRAME



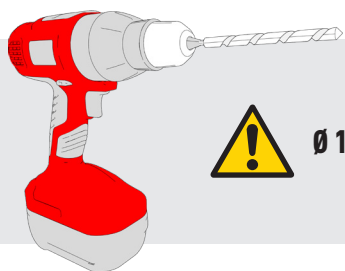
**EXTENSION : AT LEAST 2 FRAME FIXING SCREWS/ELEMENT**



**MEASURING AID: 50 MM MARKINGS**

# FIXING FRAME

## STEP 2 : DRILL HOLES\*

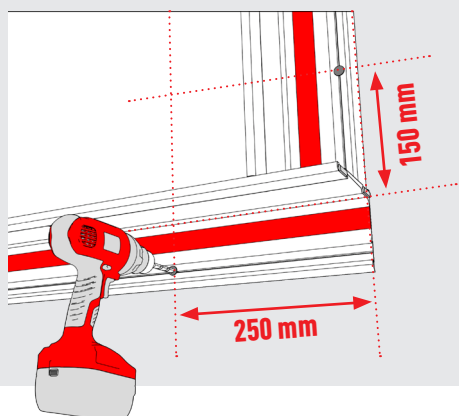


Ø 10 MM DRILL

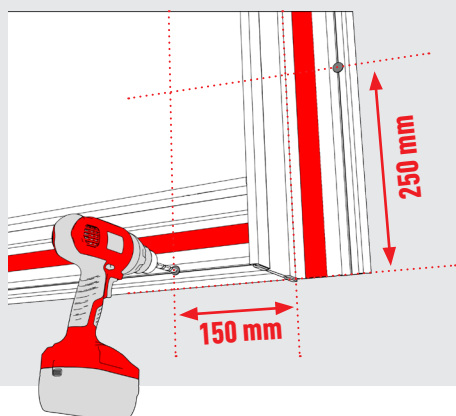


\*For wooden substrates: pre-drill the frame with a metal drill bit and then use a wood drill bit

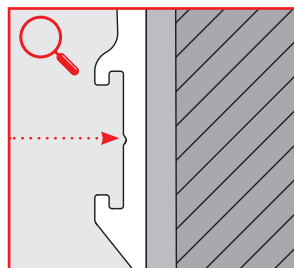
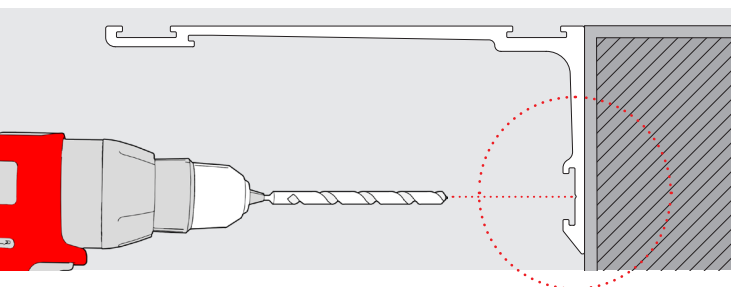
### VARIANT 1



### VARIANT 2



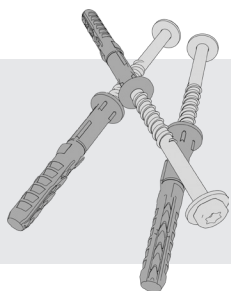
**DRILL INTO THE SLOT!**





# FIXING FRAME

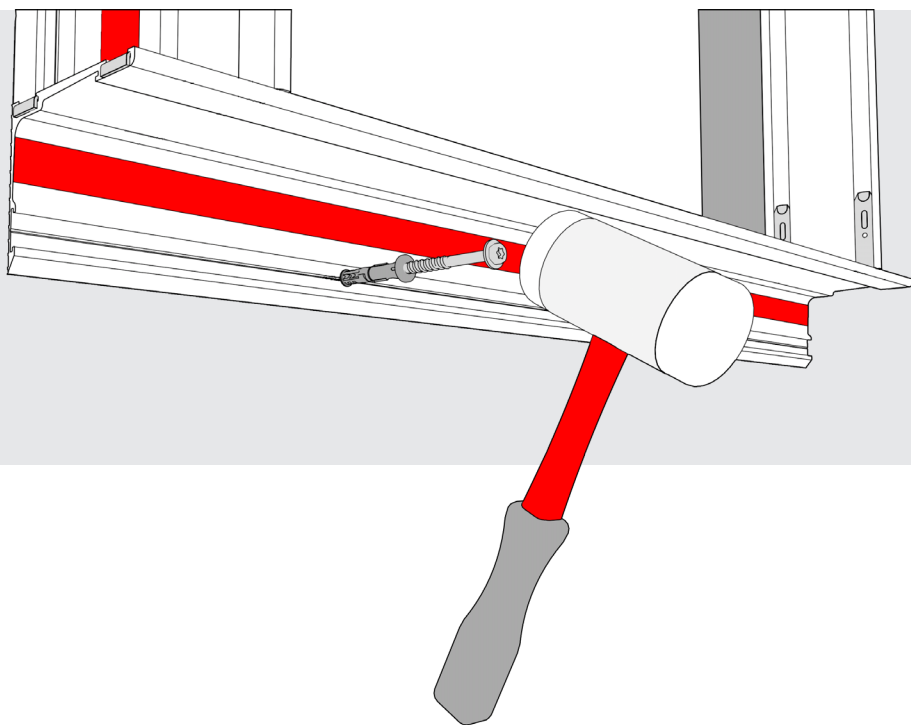
## STEP 3 : PLACE FRAME FIXING SCREWS \*\*



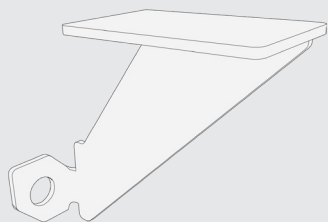
MINERAL SUBSTRATES:  
**USE FISCHER SXR 10 X 80 FUS OR EQUIVALENT**

WOOD:  
**USE SFS HT-T-FH-FT-10X80 OR EQUIVALENT**

\*\*Please follow the current installation instructions from the screw manufacturer to select the correct frame fixing screw.



# SUPPORTS / MAX LOAD



## MAX LOAD

	STANDARD (NO SUPPORT)	WITH 2 SUPPORTS / m
T90	<b>787 kg/m</b>	-
T130	<b>222 kg/m</b>	<b>629 kg/m</b>
T160	<b>130 kg/m</b>	<b>500 kg/m</b>
T200	<b>61 kg/m</b>	<b>375 kg/m</b>

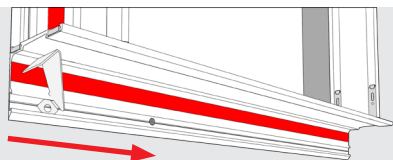


1 EXTRA SUPPORT / m  
= + 50 kg/m

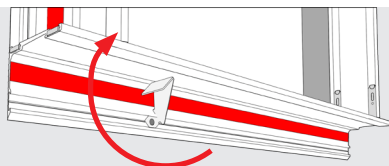


FALL PROTECTION/GUARDING REQUIRED?  
→ **USE SUPPORT** (CFR. ANNEX 2)

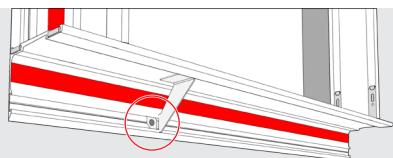
## STEP 1 : SLIDE



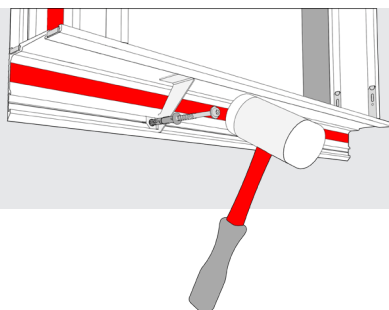
## STEP 2 : TURN



## STEP 3 : ALIGN

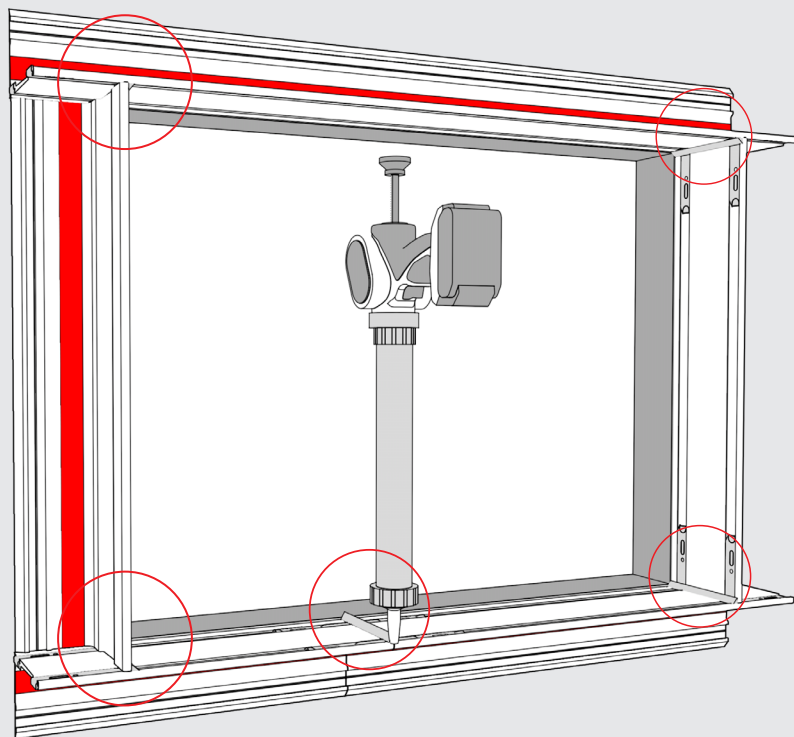


## STEP 4 : PLACE FRAME FIXING SCREWS

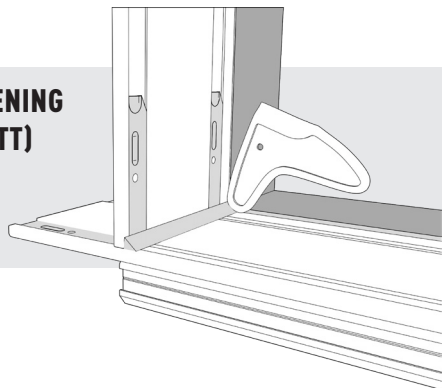


# APPLY SOUDASEAL SWI

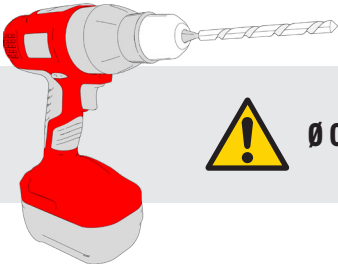
SEAL ALL INTERNAL CORNERS & CONNECTIONS



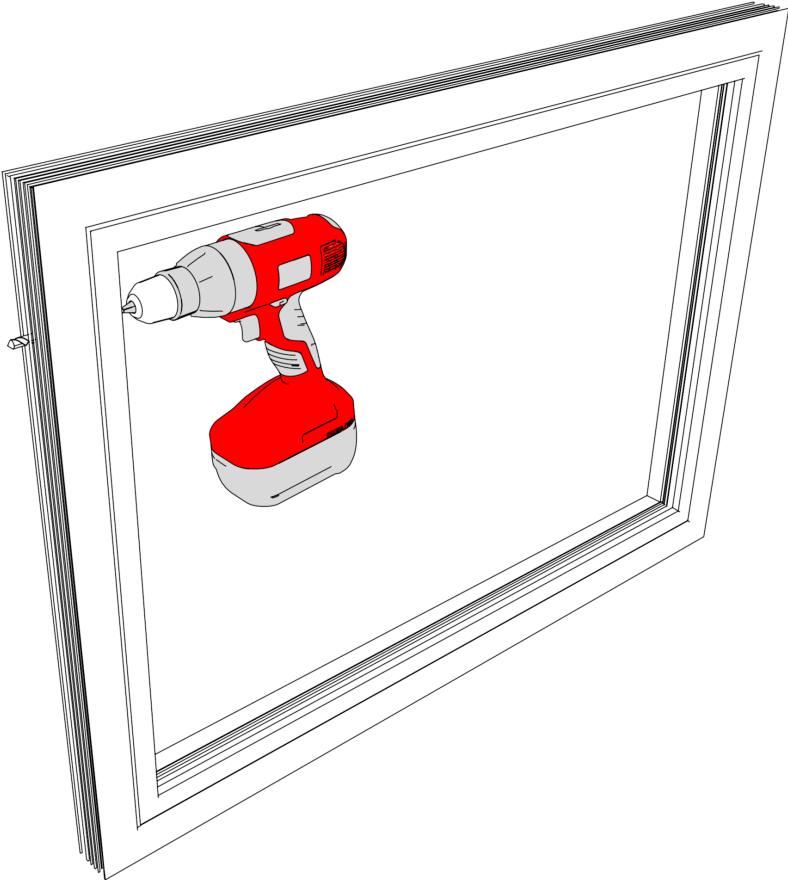
**USE A JOINT SMOOTHERING  
TOOL (E.G. SOUDAGLATT)  
FOR BETTER RESULTS**



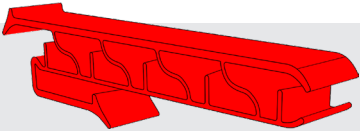
# DRILL HOLES IN WINDOW FRAME



**Ø COMPLIANT WITH THE SCREW**



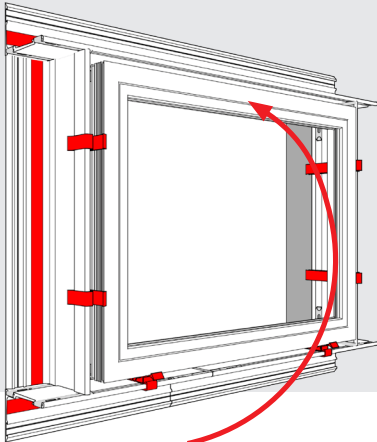
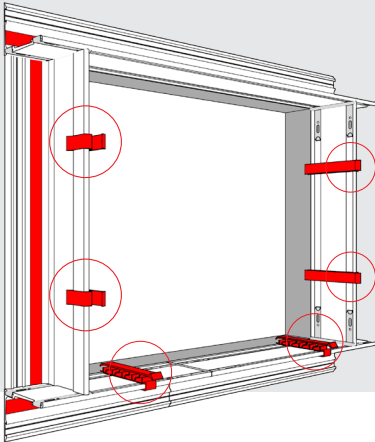
# PLACE THE WINDOW FRAME



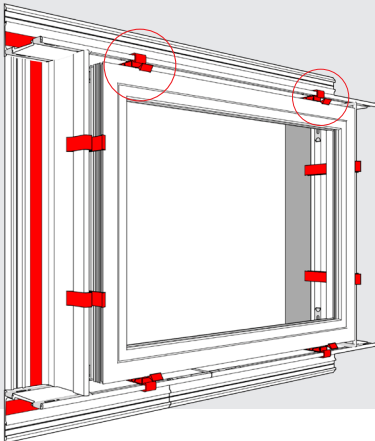
**USE SWI CLIPS**

**STEP 1 : SLIDE SWI CLIPS ONTO FRAME**

**STEP 2 : PLACE THE WINDOW**

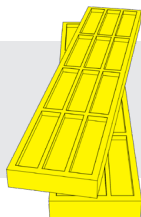


**STEP 3 : SLIDE ON THE REMAINING CLIPS**



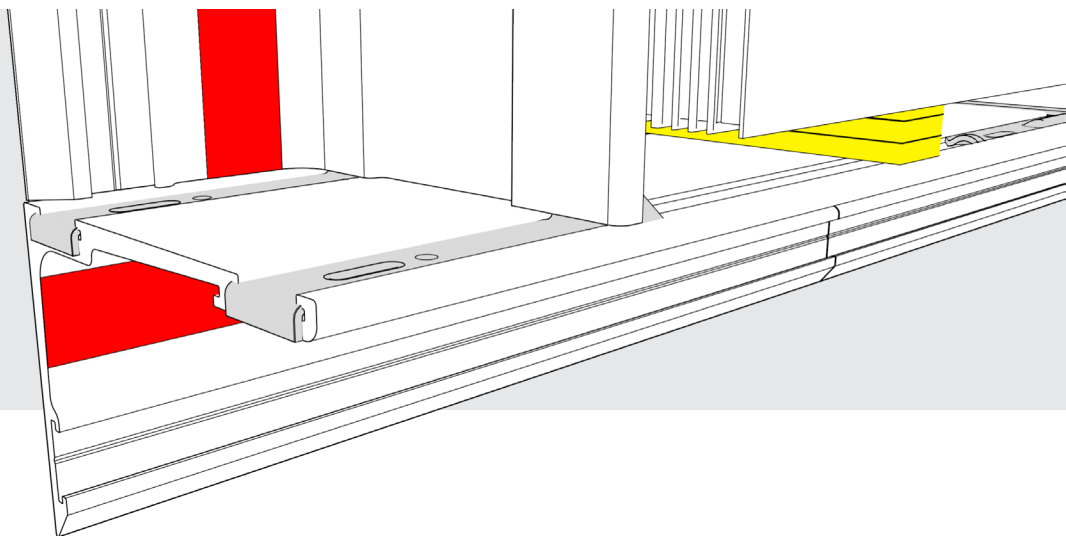
# PLACE THE WINDOW FRAME

## STEP 4 : PLACE SPACERS\*



### USE WINDOW SPACERS

\*Please follow the current regulations/guidelines corresponding to your country as well as the installation instructions from the window manufacturer for the use and the amount of distance- and support spacers

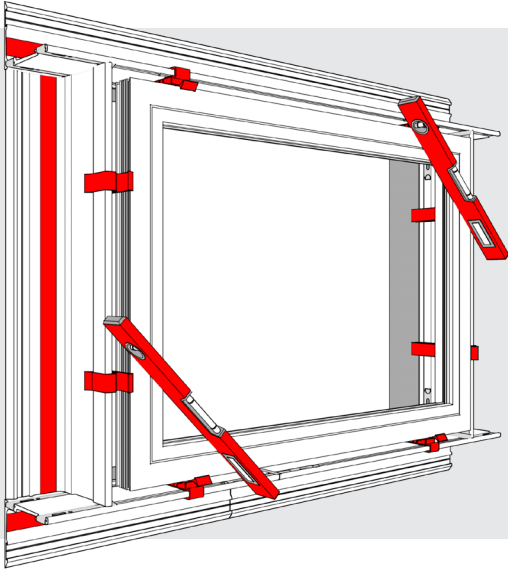


**RC2 & RC3** : MANDATORY USE OF PRESSURE-RESISTANT WINDOW SPACERS (CFR. ANNEX 1)

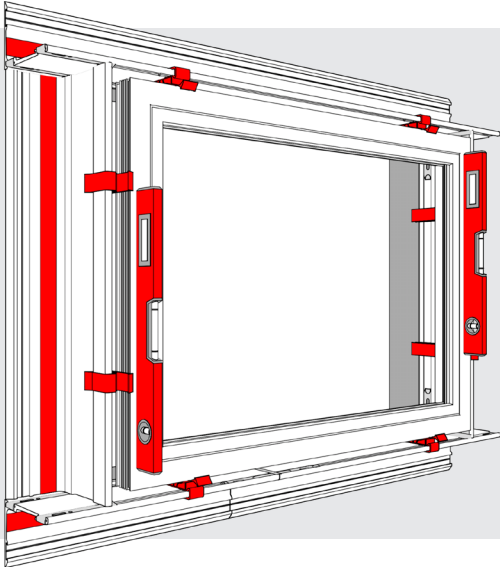
# FIXATE THE WINDOW

## STEP 1 : ALIGN THE WINDOW

1.

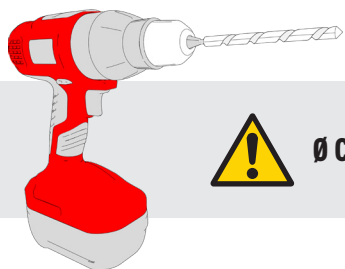


2.

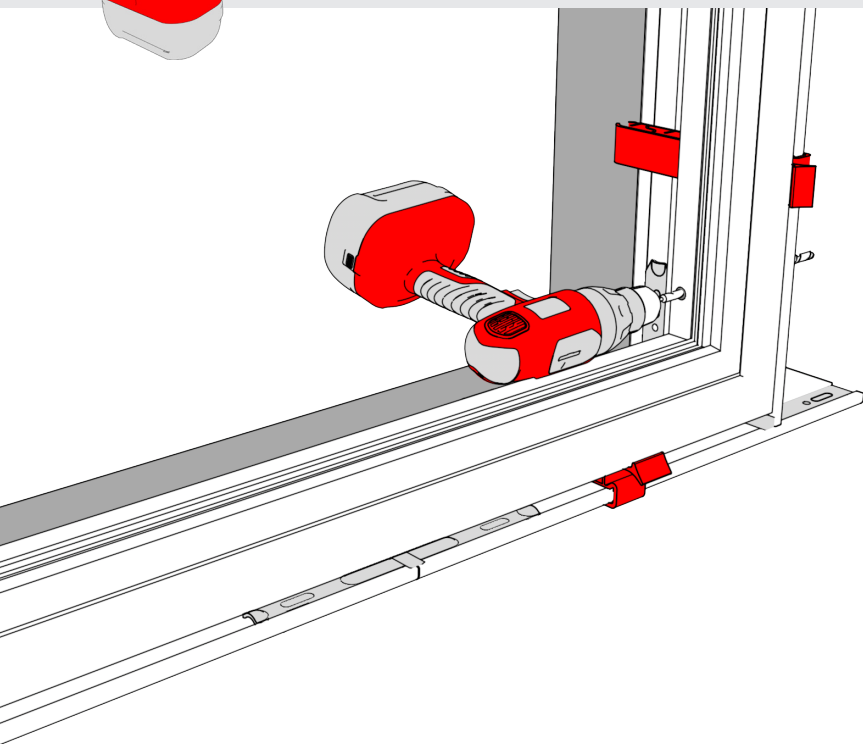


# FIXATE THE WINDOW

## STEP 2 : PRE-DRILL SOUDAFRAME



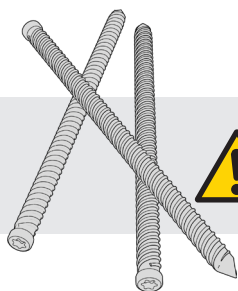
Ø COMPLIANT WITH THE SCREW





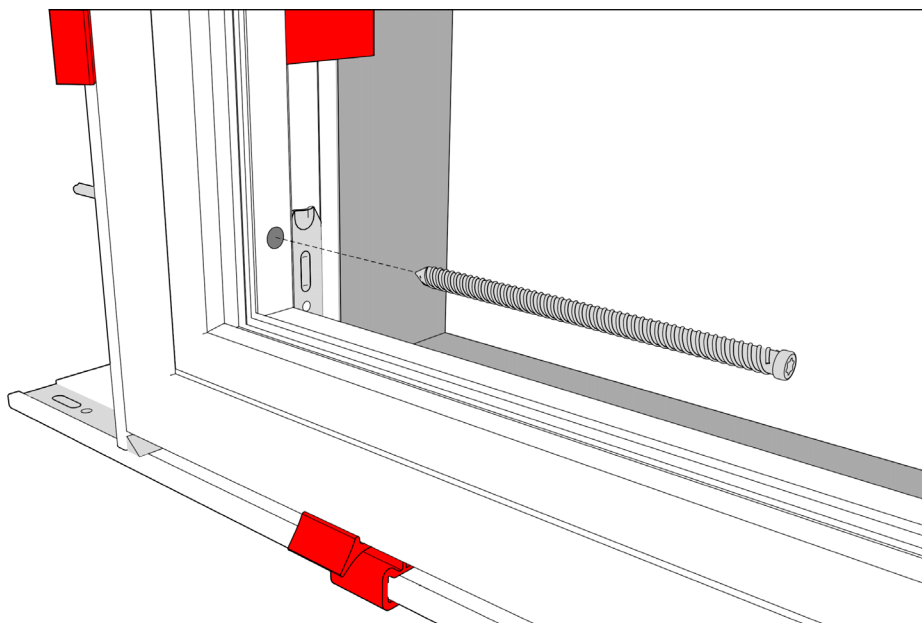
# FIXATE THE WINDOW

## STEP 3 : PLACE WINDOW FIXING SCREWS\*



**USE FISCHER FFSZ 7.5 X 132 T30 OR EQUIVALENT**

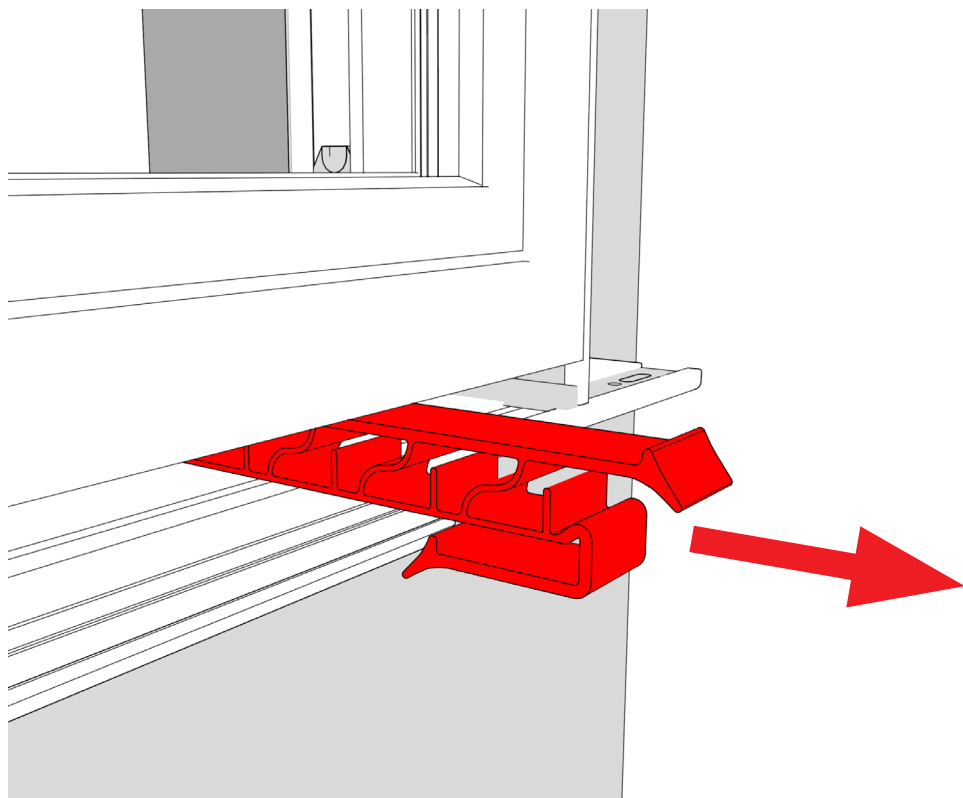
\* Please follow the current installation instructions of the window manufacturer for the correct type, the amount and the location of the window fixing screws.



**RC2 & RC3:** PLEASE CONSULT ANNEX 1

Note: If the forces acting on a fixing point exceed its load-bearing capacity, it is possible to divide this up by means of a group fixation, e.g. double/corner fixation. (cfr. RAL-guidelines)

# REMOVE CLIPS



**REMOVE THE CLIPS AND  
USE THEM AGAIN FOR THE NEXT WINDOW / PROJECT !**

# SEAL THE WINDOW



## SOUDAFRAME <sup>SWI</sup>

<b>MATERIAL</b>	<b>MATERIAL DESCRIPTION</b>
137368	SOUDAFRAME SWI 90 (220 CM)
137367	SOUDAFRAME SWI 130 (220 CM)
137366	SOUDAFRAME SWI 160 (220 CM)
137362	SOUDAFRAME SWI 200 (220 CM)
137363	SOUDAFRAME SWI CLIP
137364	SOUDAFRAME SWI LINK
137365	SOUDAFRAME SWI CORNER
144883	SOUDAFRAME SWI SUPPORT 130
144882	SOUDAFRAME SWI SUPPORT 160
144881	SOUDAFRAME SWI SUPPORT 200
137004	SOUDASEAL SWI
113509	SOUDAGLATT
121921	PANASONIC APPLICATOR 600ML 14,4V LI-ION
107789	SURFACE CLEANER

# ANNEX 1: BURGLAR PROOF WINDOW INSTALLATION



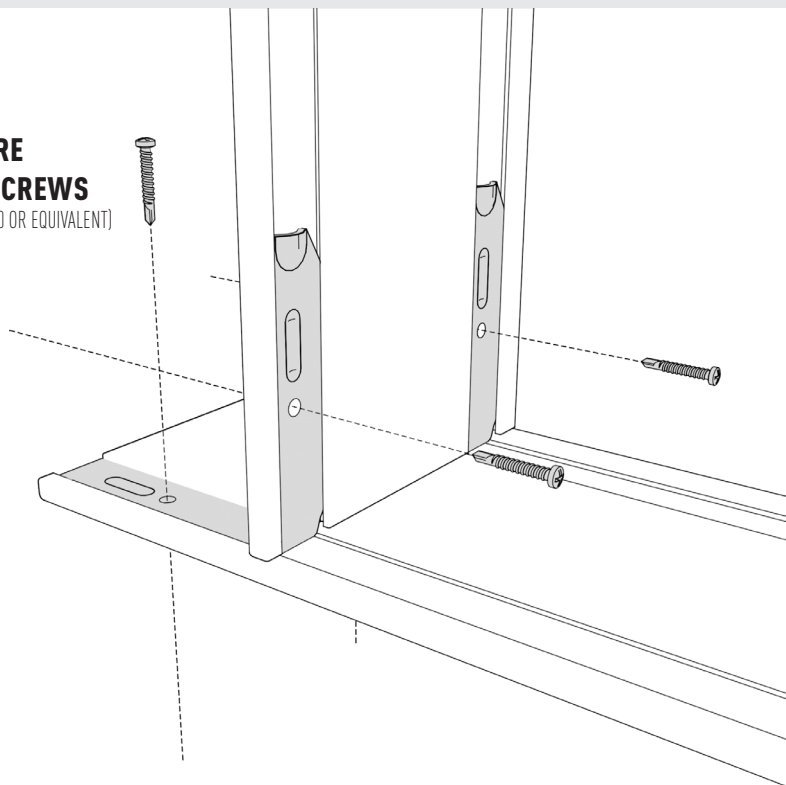
## RC2 OR RC3 REQUIRED?

→ FOLLOW THESE ADDITIONAL MANDATORY RULES!

### ASSEMBLE FRAME :

#### MANDATORY TO SECURE EACH CORNER WITH SCREWS

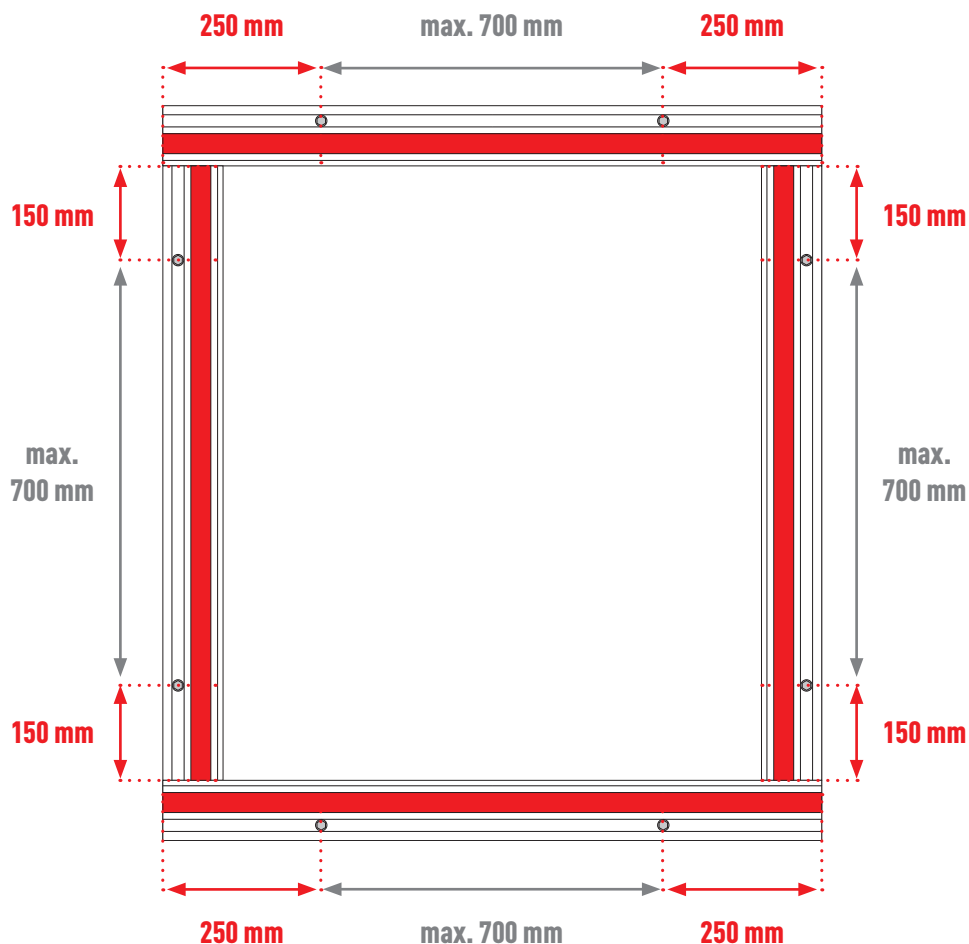
(USE FISCHER FPS-FPB 4,2 X 13 ZPF 1000 OR EQUIVALENT)



# ANNEX 1: BURGLAR PROOF WINDOW INSTALLATION

## FIXING FRAME :

MAX 700 MM BETWEEN ALL FRAME FIXING SCREWS



EXTRA FOR RC3: WINDOW SIZE  $\leq 800 \times 800$  MM  $\rightarrow$  MANDATORY USE OF SUPPORTS

# ANNEX 1: BURGLAR PROOF WINDOW INSTALLATION

## FIXATE THE WINDOW :

### ALWAYS USE PRESSURE-RESISTANT WINDOW SPACERS\*

#### RC2 : ALL WINDOW SIZES

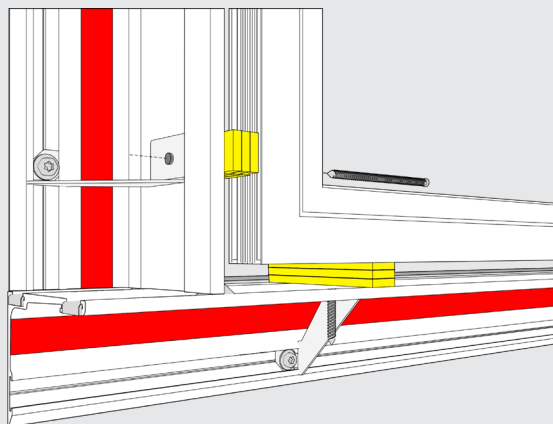
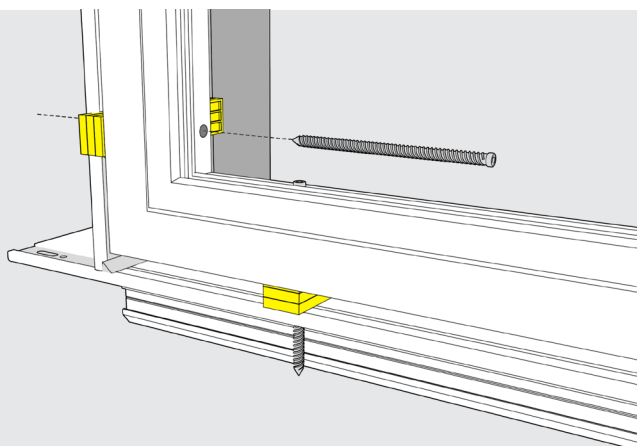
→ STANDARD FIXATION\*\*

#### RC3 : WINDOW SIZE > 800 X 800

→ AT LEAST 3 WINDOW  
FIXING SCREWS / SIDE\*\*

#### WINDOW SIZE < 800 X 800

→ AT LEAST 2 WINDOW  
FIXING SCREWS / SIDE\*\*  
AND MANDATORY USE OF SUPPORTS  
THAT ARE SCREWED THROUGH\*\*\*



\*Please follow the current installation instructions of the manufacturer of the burglar proof window for the correct type, the amount and the location of the window spacers.

\*\* Please follow the current installation instructions of the manufacturer of the burglar proof window for the correct type, the amount and the location of the window fixing screws.

\*\*\* This applies to all window fixing screws.

# ANNEX 2: FALL PROTECTION / GUARDING



## FALL PROTECTION/GUARDING

→ BELOW THE GUARD HEIGHT: MANDATORY USE OF SUPPORTS THAT ARE SCREWED THROUGH\*

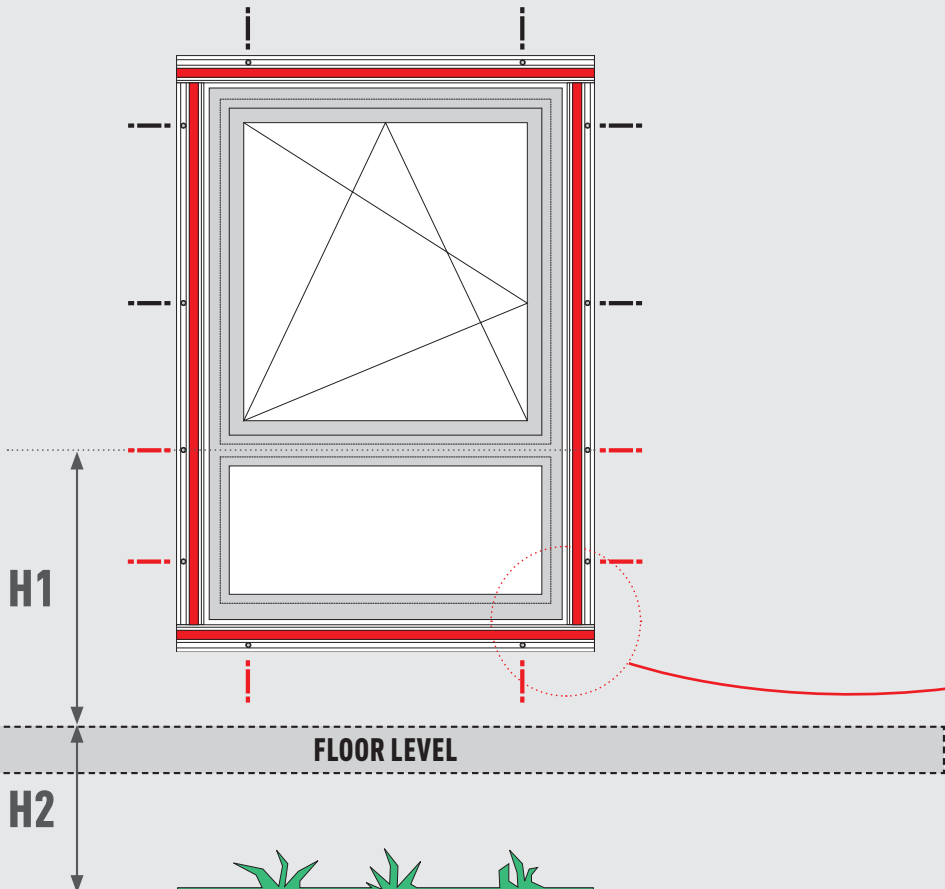
### FOR EXAMPLE:

H1 = GUARD HEIGHT

H2 = HEIGHT DIFFERENCE (FALL HEIGHT)

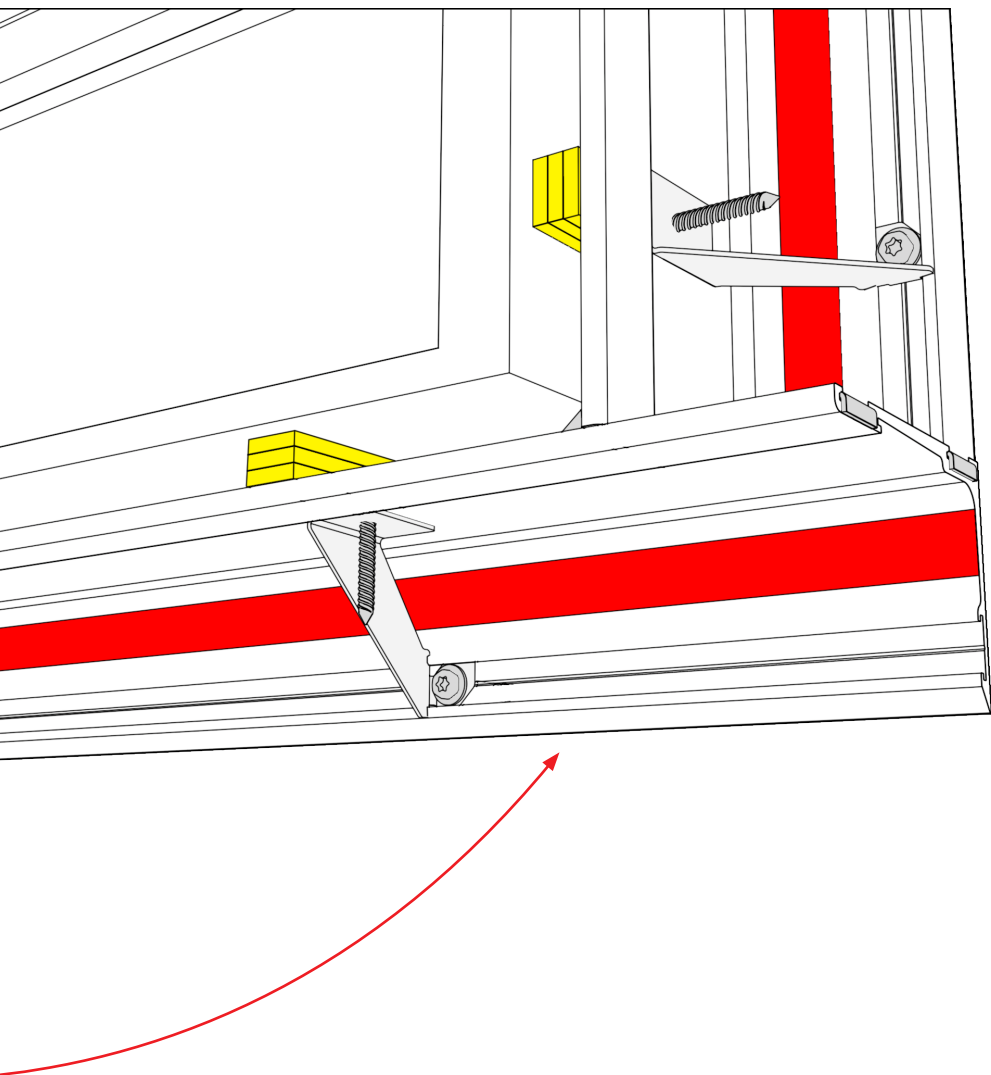
--- = FIXING WITHOUT SUPPORT

-.- = FIXING WITH SUPPORT\*





## ANNEX 2: FALL PROTECTION / GUARDING



\* Please follow the current regulations/guidelines corresponding to your country for the number and location of the supports against fall protection/guarding.





**SWI**  
**SOUDAFRAME**

**SOUDAL**

**SOUDAL N.V.**

Everdongenlaan 18  
2300 Turnhout  
Belgium  
Tel: +32 14 44 78 78  
[www.soudal.com](http://www.soudal.com)

Your distributor

